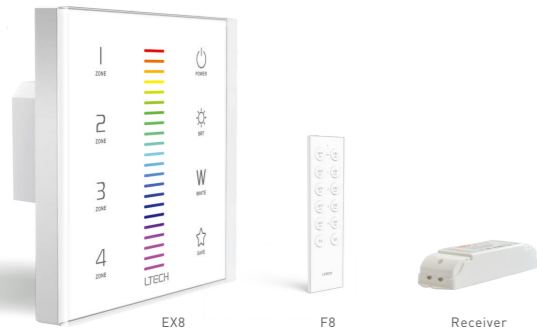


EX8 Touch Panel (RGBW)



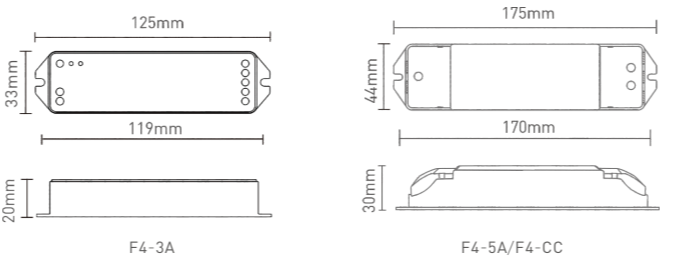
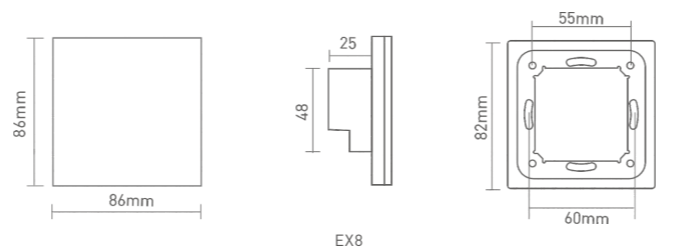
Manual
www.ltech-led.com

Technical Specs

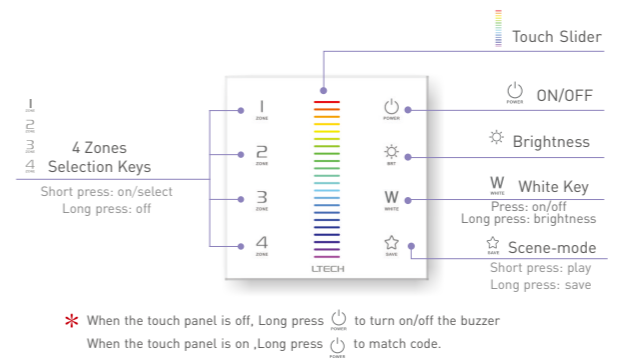
EX8 RGBW Touch Panel (4 zones)			
Input Voltage:	100~240Vac	Dimensions:	L86×W86×H36(mm)
Output Signal:	RF 2.4GHz, DMX512	Package Size:	L113×W112×H50(mm)
Working Temp.:	-30°C~55°C	Weight(G.W.):	225g
F4-3A CV Receiver			
Input Voltage:	5~24Vdc	Working Temp.:	-30°C~55°C
Current Load:	3A × 4CH Max. 12A	Dimensions:	L125×W33×H20(mm)
Max Output Power:	60W/144W/288W(5V/12V/24V)	Package Size:	L127×W35×H24(mm)
Wireless Signal:	2.4GHz	Weight(G.W.):	60g
F4-5A CV Receiver			
Input Voltage:	5~24Vdc	Working Temp.:	-30°C~55°C
Current Load:	5A × 4CH Max. 20A	Dimensions:	L175×W44×H30(mm)
Max Output Power:	100W/240W/480W(5V/12V/24V)	Package Size:	L178×W48×H33(mm)
Wireless Signal:	2.4GHz	Weight(G.W.):	150g
F4-CC CC Receiver			
Input Voltage:	12~48Vdc	Working Temp.:	-30°C~55°C
Output Voltage:	3~46Vdc	Dimensions:	L175×W44×H30(mm)
Output Current:	CC 350/700/1050mA×4CH	Package Size:	L178×W48×H33(mm)
Output Power:	1.05W~48.3W×4CH Max 193.2W	Weight(G.W.):	165g
Wireless Signal:	2.4GHz		
Note: Receiver is sold separately.			



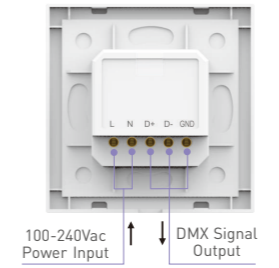
Product Size:



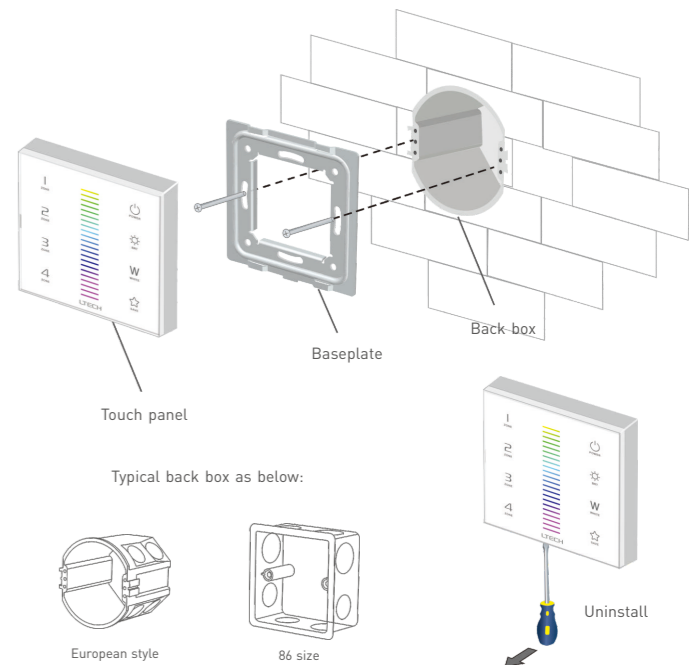
Key Functions:



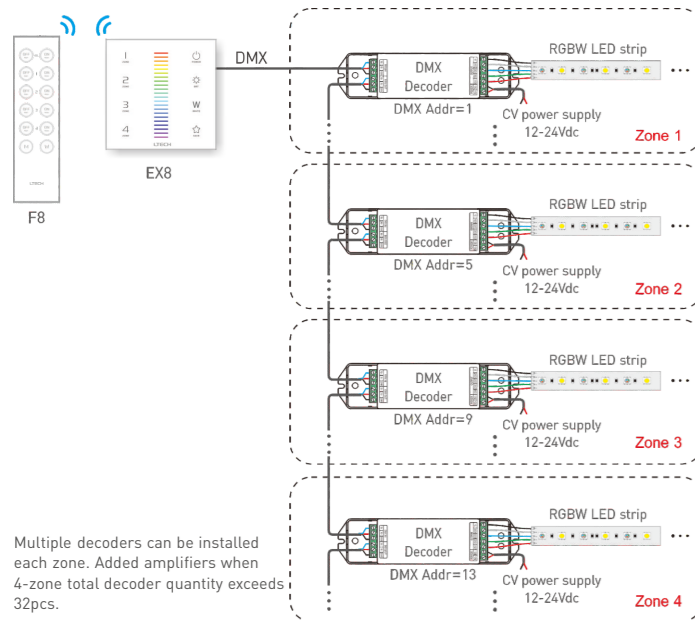
Terminals:



Installation Instruction:



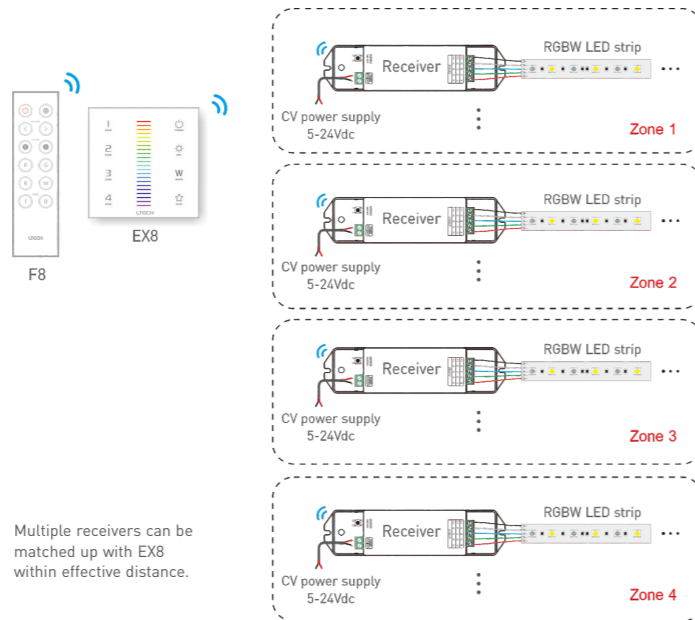
DMX Wiring:



Multiple decoders can be installed each zone. Added amplifiers when 4-zone total decoder quantity exceeds 32pcs.

LTECH

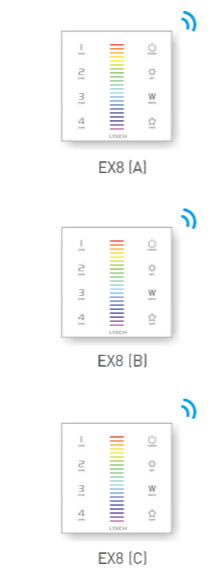
RF Wireless Wiring:



Multiple receivers can be matched up with EX8 within effective distance.

LTECH

Multi-control Wiring:



- * After touch panel A realizes controlling the lamps, if B and C are matched up with A, they can also control the lamps.
- * Connecting touch panel with DMX decoders can also realize multi-control function.

LTECH

Match/Clear Code between Touch Panel & Receiver

Match code:

Method 1 : When the touch panel is on and the wiring between the receiver and the lamps are correct.

1. Power on the receiver, and complete step 2 within 10s.
2. Long press on the touch panel, the lamps flicker.
3. Touch the matching zone key on the touch panel, the lamps stop flicking, match successfully.

Method 2 : When the touch panel is on and the wiring between the receiver and the lamps are correct.

1. Short press "ID learning button" on the receiver.
2. Long press on the touch panel, the lamps flicker.
3. Touch the matching zone key on the touch panel, the lamps stop flicking, match successfully.

Clear code:

Method 1: Power on and off the receiver continuously for 5 times, If the buzzer long beep and lamps flicker twice, deactivate the matching successfully.

Method 2: Long press "ID learning button" on receiver for 5 seconds, If the lamps flicker twice, deactivate the matching successfully.

LTECH

Match/Clear Code between Touch Panels:

Match code:

1. Assuming that B match up with A.
2. Long press on B, the indicator lights of 4 zone keys keep on after release.
3. Touch the slider on A in 5s, when the indicator lights of B turn off, match successfully.

Clear code:

Long press the two keys on the touch panel B simultaneously (about 3 seconds) until the indicator light flicker several times, deactivate the matching successfully.

Match/Clear Code between Touch Panel & Remote:

Match code:

1. Long press on the touch panel, the indicator light of 4 zone keys flicker.
2. Long press All "ON""OFF" key on the remote simultaneously, the indicator light stop flicking, match successfully.

Clear code:

Long press the two keys on the touch panel simultaneously (about 3 second), if the indicator light flicker 3 times, deactivate.